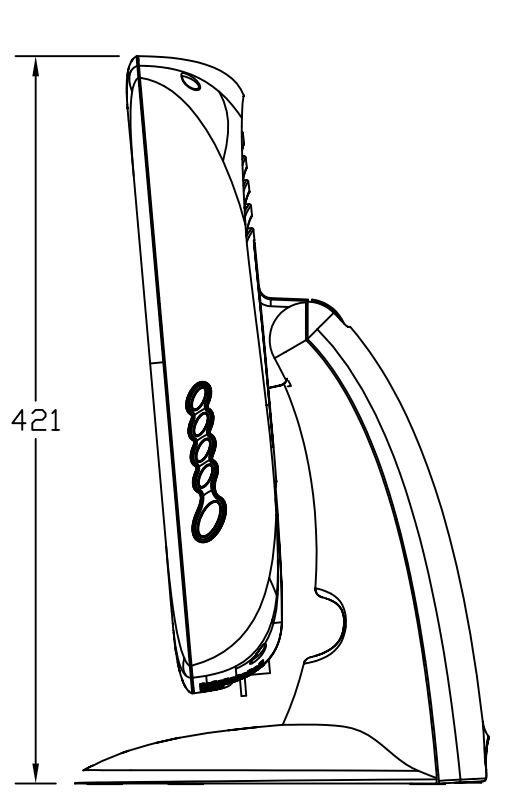
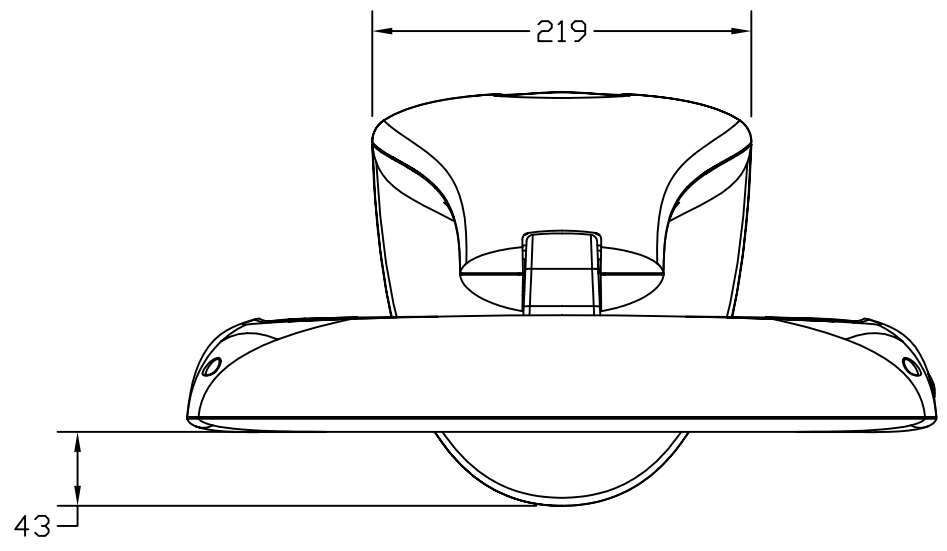
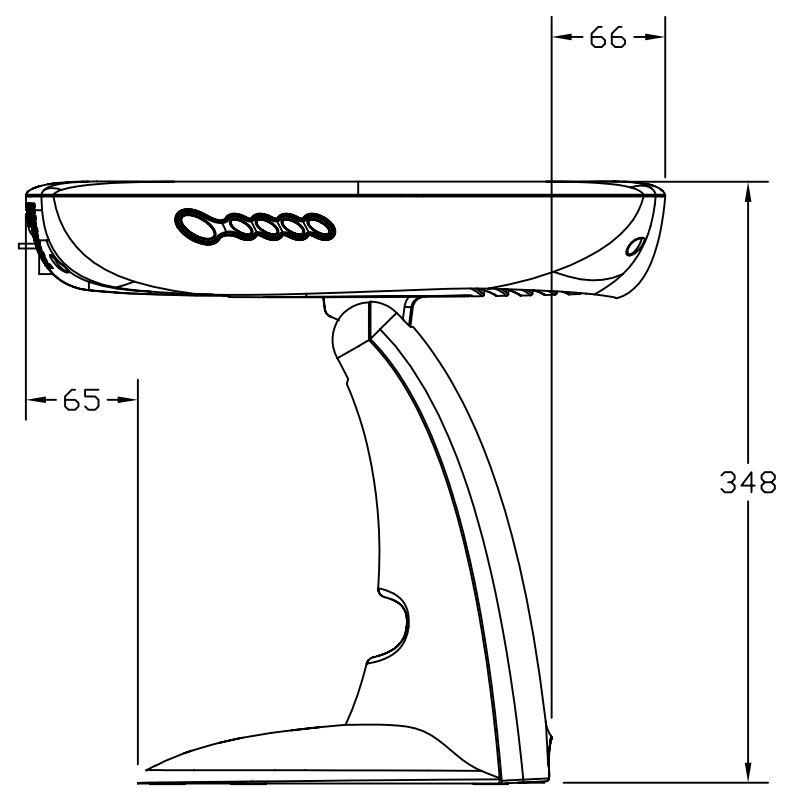


17" LCD DESKTOP MONITOR, 3000 SERIES

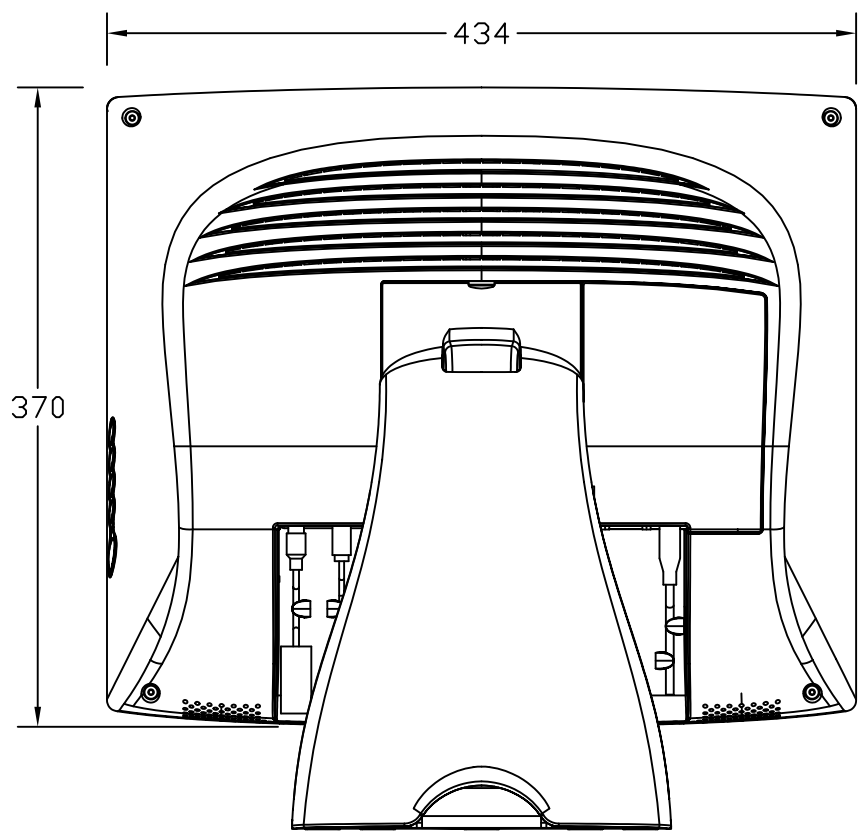
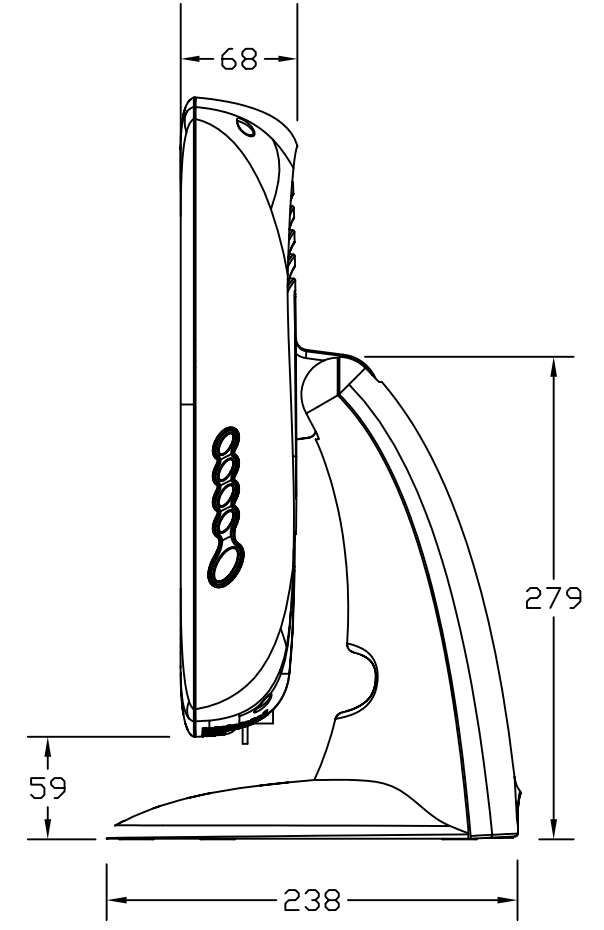
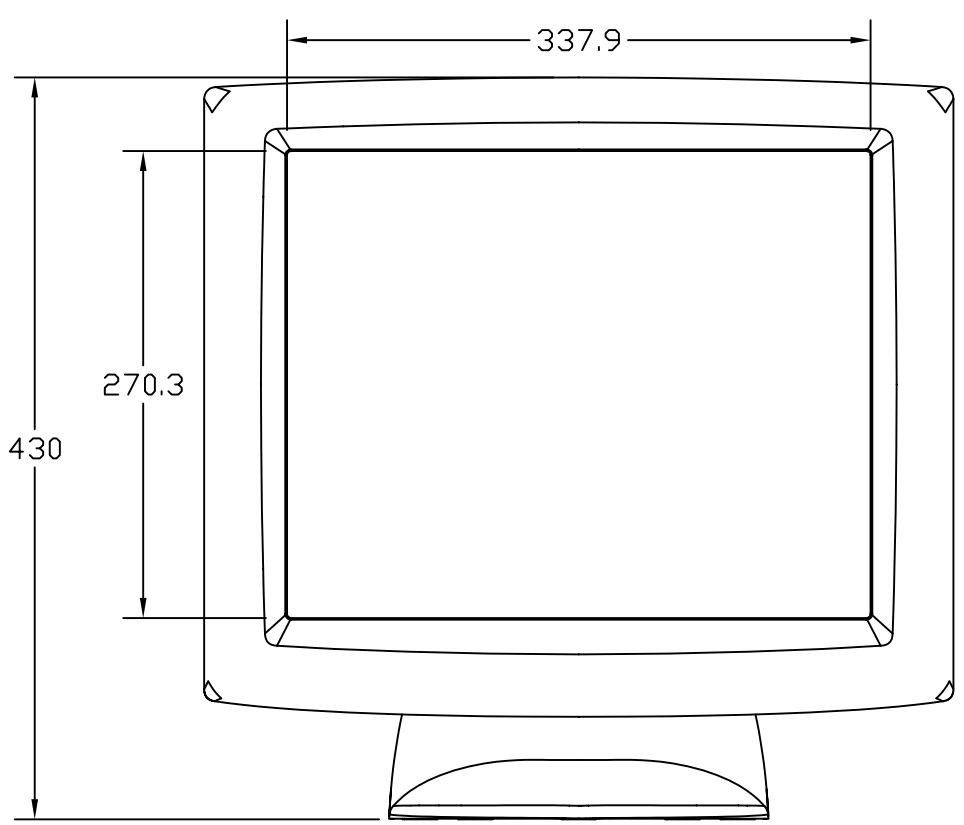


FORWARD TILT - 5° FROM VERTICAL



AFT TILT - 90° FROM VERTICAL

PART NUMBER TABULATION	
PIP NUMBER	PIP DESCRIPTION
954174-001	ET1725L-7SWF-1
146138-001	ET1725L-7SWF-1-NL
069914-001	ET1725L-7UWF-1
942352-001	ET1725L-7UWF-1-NL
D00405-001	ET1725L-8SWF-1
471972-001	ET1725L-8SWF-1-NL
442072-001	ET1725L-8UWF-1
460028-001	ET1725L-8UWF-1-NL
889048-001	ET1725L-0NWF-1
482392-001	ET1727L-7SWF-1
227258-001	ET1727L-7UWF-1
D33055-001	ET1727L-8SWF-1
869890-001	ET1727L-8UWF-1
289964-001	ET1727L-0NWF-1

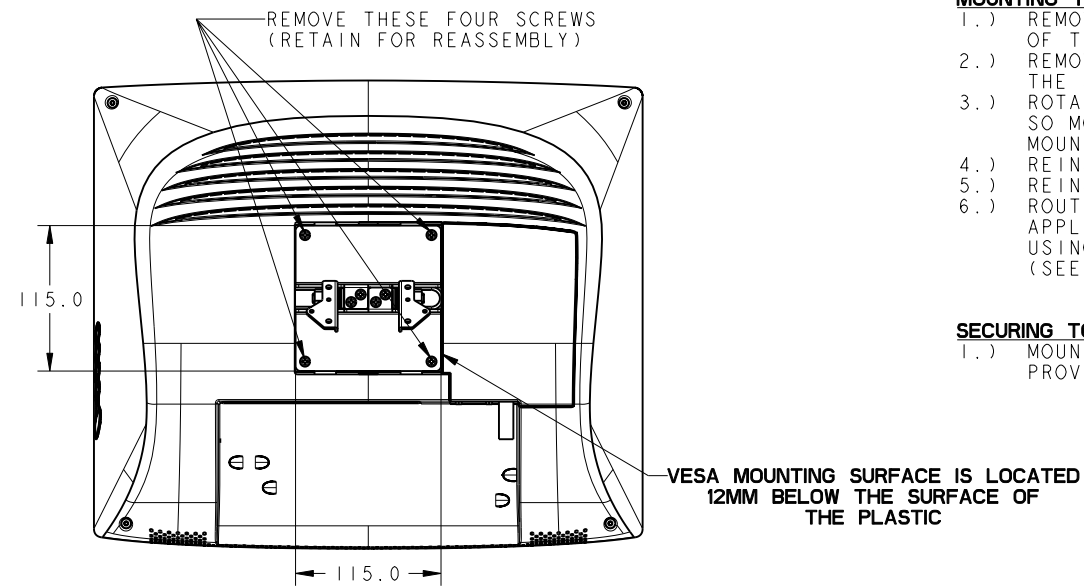


DIMENSIONS ARE IN MILLIMETERS/INCHES



ET1725L/ ET1727L MONITOR MOUNTING OPTIONS

FIGURE 1) STAND AND DISPLAY SEPARATION  
(BASE REMOVED FOR EASE OF VIEW)



**MOUNTING TO A WALL:**

- 1.) REMOVE HINGE COVER LOCATED ON THE BACK OF THE MONITOR.
- 2.) REMOVE THE FOUR SCREWS IN ORDER TO SEPARATE THE STAND FROM THE MONITOR (SEE FIGURE 1).
- 3.) ROTATE THE MONITOR 180° (THIS IS NECESSARY SO MONITOR WILL NOT BE UPSIDE DOWN WHEN MOUNTED IN THE POSITION SHOWN).
- 4.) REINSTALL THE FOUR SCREWS.
- 5.) REINSTALL THE HINGE COVER.
- 6.) ROUTE NECESSARY CABLES THROUGH WALL (IF APPLICABLE) AND MOUNT MONITOR TO WALL USING THE TEMPLATE PROVIDED ABOVE (SEE FIGURE 2)

**SECURING TO A HORIZONTAL SURFACE:**

- 1.) MOUNT TO SURFACE USING THE TEMPLATE PROVIDED IN FIGURE 2.

FIGURE 2) WALL MOUNT/ SURFACE MOUNT TEMPLATE

